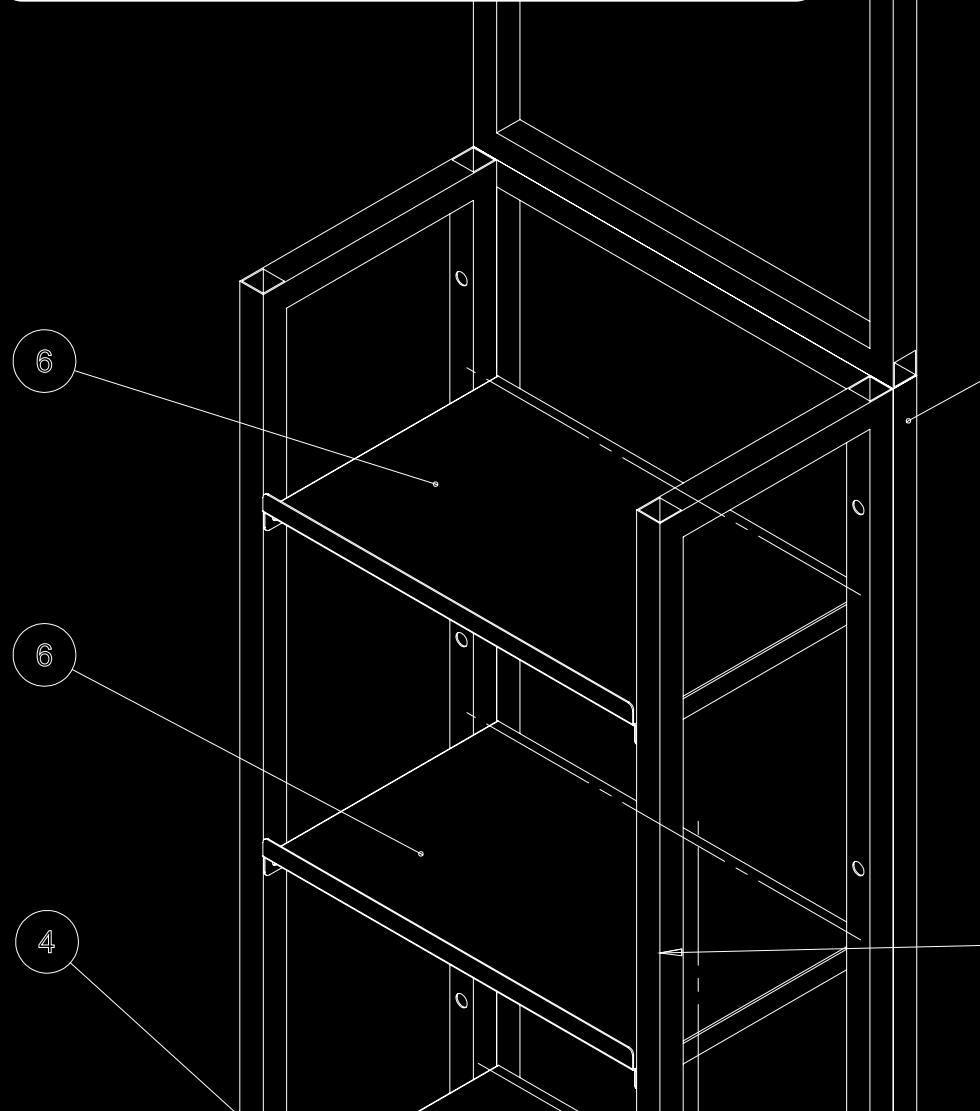
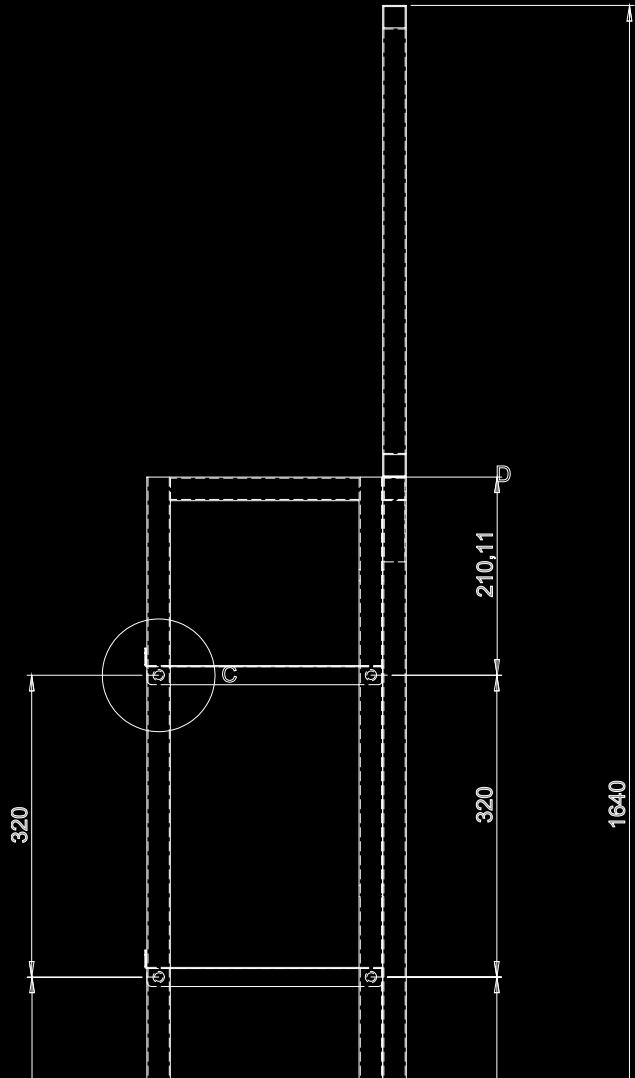


OUTLINE

DESIGN | MANUFACTURE | DELIVER



BEE Status

Level 2

Black Owned - 51%
Black Female - 38.5%
Empowering Supplier



Contents

Capabilities

Design

Vacuum forming

Printing

Latex Printer

UV Digital Printer Digital Flatbed Printer

Cutting

Lazer Cutter

Digital Cutter

CNC Router

Contact us

What we do

Outline designs, manufactures and supplies a wide range of quality point of sale products and units at competitive prices.

We also perform professional in-house design, vacuum-forming, plastic extrusion, CNC routing, digital cutting, silkscreen printing and digital printing to create the most effective promotional display for your brand.



Capabilities

- Graphic Design
- 3D Rendering
- 3D Design
- Plastic Sheet Extrusion
- Silkscreen Printing
- Digital Printing
- Digital Cutting
- Mould Manufacture
- CNC Cutting and Machining
- Vacuum Forming
- Wood and Metal Work





Design

- Graphic Design
- Industrial Design
- 3D Design



Vacuum Forming

Vacuum forming is a cost effective means of producing plastic components, made of ABS, HIP and HDPE.

Moulds are affordable and can be machined in house on our CNC cutting machines. Moulds are usually machined out of an aluminium epoxy resin block.

Printing

Digital Flatbed Printer

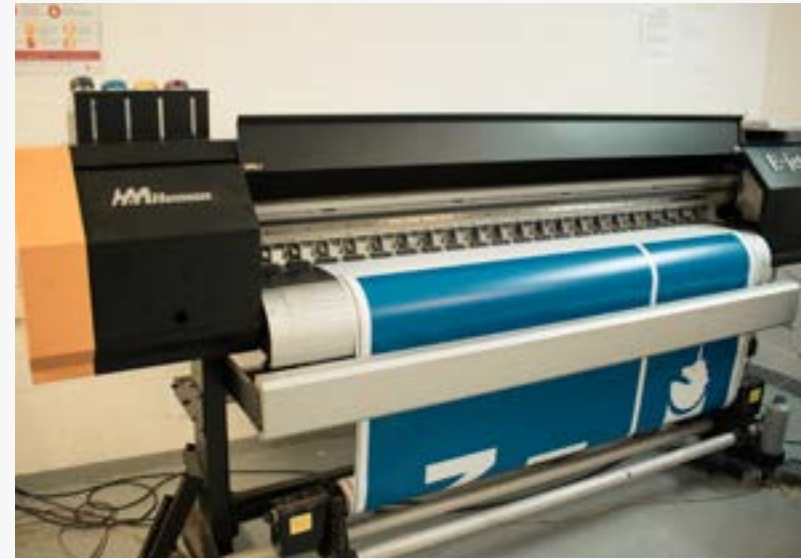
With the Digital Flatbed printer, media can simultaneously be loaded and printed.

The Flatbed printer allows for printing on a wide variety of flexible and rigid substates. The adjustable printing bed makes it possible to print on surfaces ranging in thickness.



Solvent Printer

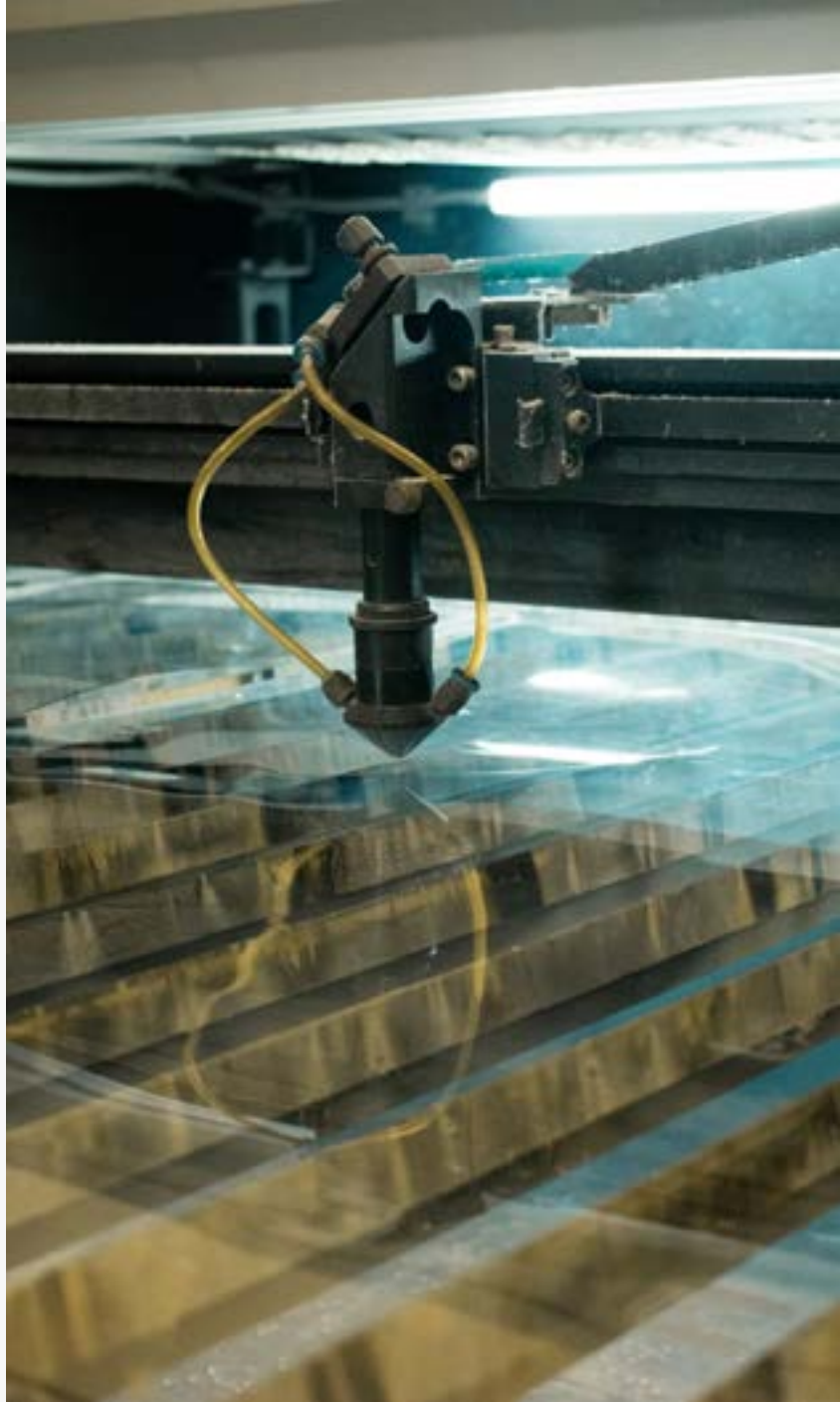
Solvent printers produce a very durable, scratch resistant product that is typically used for outdoor applications such as banners, vehicle graphics, etc.



Latex Printer

The HP Latex Printer is a colour inkjet printer designed for printing high-quality images on flexible substrates. HP Latex Inks are water-based inks that combine the best characteristics of eco-solvent inks and waterbased inks. Outdoor durability and versatility can be obtained on low-cost, uncoated papers.





Cutting

Laser Cutter

Laser cutting is a technology that uses a laser to cut a wide range of materials with precision. Materials like metal, wood and plastic can be laser cut.



Digital Cutter

The Zund G3 Digital Cutter can digitally cut a number of flexible and rigid substrates. The Digital Cutter boasts the ability to cut, kiss-cut, crease, bevel cut, V-cut and router various materials and high volume.



CNC Router

The CNC Router allows for cutting and engraving of most wood types, all plastics and non ferrous metals, as well as 3D mould cutting.



Contact us

021 703 6553

contact@outline.co.za
www.outline.co.za

Unit 2 Enslin Rd,
Ottery 7800
South Africa
P.O. Box 42912

